

# W10IW8M-RTD1ML

## 10.1" Intel® Core™ i5-8265U Defence Ultra Rugged Tablet



### KEY FEATURES

- 10.1" 1920 x 1080 LED Panel with direct optical bonding, Defence Ultra Rugged Tablet PC
- 8th Gen. Intel® Core™ i5-8265U, 1.6 GHz (turbo up to 3.90 GHz)
- Adjustable Kickstand that is Convertible to a handle
- Ecological seals protect ports as well as connectors from moisture and dust
- MIL-STD-38999 connector for Giga LAN, RS232/RS422 and Power Input
- With daylight-readable screen 800 nits optical bonding for clarity increasing and readability enhancing

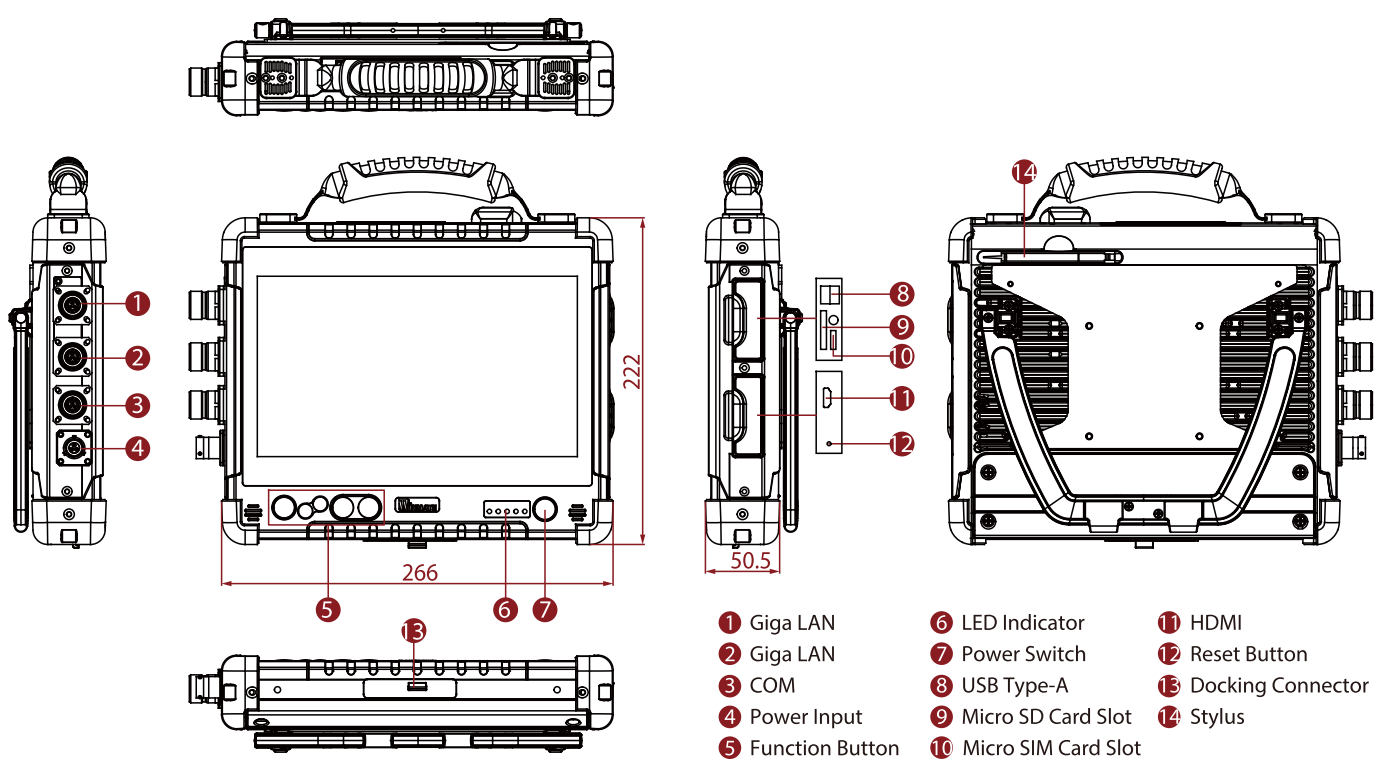


### SPECIFICATIONS

Display			
<b>Touch / Glass</b>	Projected Capacitive Multi Touch Screen	<b>Resolution</b>	1920x1080
<b>Size</b>	10.1 inches	<b>Contrast Ratio</b>	800:1
<b>Panel Brightness</b>	800 nits	<b>View Angles</b>	85,85,85,85
System Specification			
<b>Processor</b>	Intel Core i5-8265U 1.6GHz (up to 3.9GHz)	<b>Memory</b>	4GB SODIMM DDR4-2400 8GB SODIMM DDR4-2400 (Optional) 16GB SODIMM DDR4-2400 (Optional)
<b>Storage</b>	1 x 128GB M.2 SSD 256GB M.2 SSD (Optional) 512GB M.2 SSD (Optional)	<b>Security</b>	TPM 2.0
<b>Operating System</b>	Windows 10 IoT Enterprise (64 bit) Linux Ubuntu 20.04 (Optional)	<b>WLAN</b>	802.11 a/b/g/n/ac
<b>BT</b>	Support	<b>WWAN</b>	4G/ LTE or 3G (Optional)
<b>GNSS</b>	Supports GPS GLONASS, Galileo, BeiDou (Optional)		
Mechanical			
<b>Dimension</b>	266 x 222 x 50.5 mm	<b>Weight</b>	2.4 kg
<b>Enclosure</b>	Magnesium Alloy Housing with All-Around Elastomeric Rubber	<b>Cooling System</b>	Fanless design
<b>Docking Housing</b>	nan		
Power			
<b>Battery</b>	11.1V, 5200mAh Lithium-Ion Battery (6cells)	<b>Battery Operating Time</b>	8 Hours
<b>Power Rating</b>	9-36V DC in (MIL-DTL-38999/1 connector)	<b>Adapter</b>	100-240V, 50-60Hz / 19V DC
Environment			
<b>Operating Humidity</b>	10% to 90% RH, non-condensing	<b>Operating Temperature</b>	-20°C to 60°C (AC mode), -10°C to 50°C (Battery mode)
<b>Storage Temperature</b>	-30°C to 70°C (-22°F to 158°F)	<b>Shock</b>	MIL-STD-810G Method 516.6 Procedure I
<b>Vibration</b>	MIL-STD-810G Method 514.6 Procedure I	<b>IP rating</b>	IP54

<b>Drop</b>	MIL-STD-810G Method 516.6, 4 ft		
<b>Certification</b>			
<b>Certification</b>	CE, FCC		
<b>Control</b>			
<b>Button</b>	1 x Power, 1 x Menu, 2 x Function Key, 2 x Brightness Control Key		
<b>Accessory</b>			
<b>Accessory</b>	Cordon d'alimentation et adaptateur Batterie standard Guide de démarrage rapide Manuel papier + CD Styler Câble alimentation + Ethernet MILSTD38999 Câble RS232/RS422/RS852 MILSTD38999	<b>Optional Accessory</b>	Station d'accueil multifonctions Kit d'adaptation pour véhicule Chargeur voiture Lanière pour main Lanière épaule Sacoche
<b>IO Ports</b>			
<b>USB Port</b>	2 x USB 3.0	<b>Serial Port</b>	1 x RS232/RS422 /485 + 1 x RS422 Port(MIL-STD-38999 connector)
<b>Video</b>	1 x HDMI	<b>Audio</b>	2 x 1 Watt Speaker
<b>LAN</b>	2 x RJ45-10/100/1000 Mbps LAN(MIL-STD-38999 connector)	<b>Indicator</b>	4x LED Indicator for Power, Battery, SSD, RF status

**DIMENSIONS** UNIT:MM



**NOTE**

1. Measured at dimming LCD brightness. Varies depending on the usage conditions, or when an external device is attached.
2. This is a simplified drawing and some components are not marked in detail.
3. Default uses the silver defence connector with RoHs, optional green defence connector without RoHs.