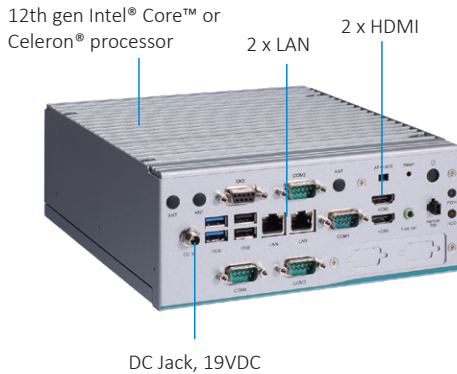


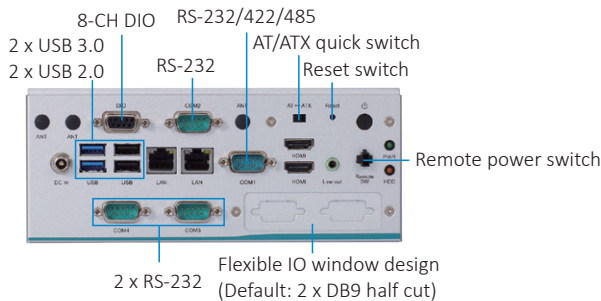
eBOX640A NEW

Fanless Embedded System with LGA1700 12th Gen Intel® Core™ i7/i5/i3 or Celeron® processor, Intel® H610, 4 COM, 2 LANs, 2 HDMI, 4 USB, 8-CH DIO and 19VDC



Features

- LGA1700 12th gen Intel® Core™ i7/i5/i3, 35W TDP
- Intel® UHD Graphics 770 based on Intel® X^e Architecture with support for up to 32 graphics
- Supports PCIe Mini module for flexible I/O window (optional)
- 2 HDMI for dual display outputs
- -10°C to +50°C wide operating temperatures
- 19VDC power input with power protection
- Efficient and budget-friendly



Specifications

Standard Color	Silver
Construction	Aluminum extrusion and heavy-duty steel, IP40
CPU	LGA1700 12th gen Intel® Core™ i7/i5/i3 or Celeron® processor (TDP up to 35W)
System Memory	2 x 260-pin DDR4-3200/2666/2400 SO-DIMM, up to 64GB
Chipset	Intel® H610
BIOS	AMI
System I/O Outlet	1 x RS-232/422/485 (COM1) 3 x RS-232 (COM2 to COM4) 1 x 2500/1000/100/10 Mbps Ethernet (Intel® I225-V) 1 x 1000/100/10 Mbps Ethernet (Intel® I219-V) 2 x USB 3.2 Gen1 2 x USB 2.0 1 x Audio (Line-out) 2 x HDMI 1 x DC Jack power input 1 x 8-CH DIO (4-in/4-out) 3 x SMA-type antenna connector 1 x Flexible I/O window 1 x Power switch 1 x Reset switch connector 1 x ATX/AT quick switch 1 x Remote switch connector

Specifications

Watchdog Timer	255 levels, 1 to 255 sec.
Storage	1 x 2.5" SATA HDD drive bay (up to 15 mm height)
Expansion Interface	1 x M.2 Key B 2242 (PCIe x2 signal; for storage only) 1 x M.2 Key E 2230 (PCIe x1 & USB 2.0 signal) 1 x Full-size PCI Express Mini Card slot (PCIe x1 & USB 2.0 signal)
TPM	TPM 2.0
System Indicator	1 x Green for system power 1 x Orange LED for HDD active
Power Input	19 VDC
Operating Temperature	-10°C to +50°C (14°F to 122°F) (with W.T. SSD/DRAM)
Humidity	10% to 90%, non-condensing
Vibration Endurance	IEC 60068-2-64 (w/SSD: 3Grms STD, random, 5- 500 Hz, 1 hr/axis)
Shock Vibration	IEC 60068-2-27 (w/SSD: 50G, half sine, 11 ms duration)
Dimensions	195 mm (7.67") (W) x 210.6 mm (8.27") (D) x 80 mm (3.14") (H)
Weight (net/gross)	3 kg (6.61 lb)/3.6 kg (7.94 lb)
Certifications	CE, FCC Class A, UKCA
EOS Support	Win 10 IoT, Win 11 IoT, Linux

* W.T.: Wide Temperature. All W.T. supported products have to be sorted by Axiomtek.

Packing List

- 1 x Screws pack
- 4 x Foot pad
- 1 x HDD bracket
- 1 x DRAM Thermal pad
- 1 x Remote power switch cable

Power Protection

AC to DC Adapter

- SCP (short circuit protection)
- OVP (over voltage protection)

Ordering Information

Standard

eBOX640A-ALD-S (P/N: E36K640A00)	Fanless embedded system with LGA1700 12th generation Intel® Core™ i7/i5/i3 or Celeron® processor, Intel® H610, 4 COM, 2 LAN, 2 HDMI, 4 USB, 8-CH DIO and 19VDC
-------------------------------------	--

Optional

2.5" SATA HDD	64GB or above
2.5" SATA SSD	100GB or above
DDR4 SO-DIMM	8GB to 32GB
8816K6718A0E	Wall mount kit
886K64010A0E	DIN-rail kit
	Wi-Fi/LTE module
	Power cord
E392903102	AX92903 CAN Bus PCI Express Mini module
E392902103	AX92902 LAN PCI Express Mini module
E392906101	AX92906 COM PCI Express Mini module
E392905103	AX92905 Audio PCI Express Mini module
E392918103	AX92918 Dual LAN PCI Express Mini module
5095AD24000E	19V 120W power adapter

* Specifications and certifications may vary based on different requirements.

Dimensions

